

Industrial Process Pressure Gauges(301P & 311P Series)

Applications

- Corrosion resistance
- Chemical & petrochemical
- Power generation
- Pumps, compressors and regulators
- Refining & marine industry
- Sea water application (Only monel)

Working Pressure

Steady : 3/4 of full scale value(recommendation : 25% to 75% of full scale)

Fluctuating : 2/3 of full scale value(recommendation : lower 50% of full scale)

Short time : 130% of full scale value(over range protection)

Operating Temperature

301P : Ambient : -20 ~ 65°C

Media(Fluid) : -20 ~ 80°C

311P : Ambient : -40 ~ 60°C

Media(Fluid) : +200°C Maximum



Special Notes

1. Other pressure connections are available as option.

Standard Specification Overview

Dial Size

60mm(2.5"), 75mm(3"), 100mm(4") & 150mm(6")

Reference Accuracy

60mm & 75mm : $\pm 1.5\%$ of Full Scale

100mm & 150mm : $\pm 1.0\%$ of Full Scale(ASEM B40.1 Grade 1A)

Scale Ranges *

60mm & 75mm : Vacuum & Compound 0 ~ 0.1 to 0 ~ 25 MPa

100mm & 150mm : Vacuum, Compound & 0 ~ 100 MPa

* For more information, see the ordering information table.

Standard Pressure Connection

60mm : PT("R" in ISO) 1/4"

75mm : PT("R" in ISO) 3/8"

100mm & 150mm : PT("R" in ISO) 1/2"

* No throttling screw inserted in the pressure port.

Ring Type

Crimped : 301P(60mm & 75mm)

Bayonet : 301P(100mm & 150mm)

Slip-on-fit : 311P(100mm & 150mm)

Material

Case : 304 SS with pressure relief on top(60mm & 75mm) or blow out disk on back(100mm & 150mm)

Ring(Cover) : 304 SS

Window : Glass(60mm & 175mm), Tempered Glass(100mm & 150mm), Laminated Safety Glass(311P)

Pointer : Aluminum Alloy, Black Finished

Connection : 316 SS, Monel

Element : 316 SS, Monel

Movement : 316SS, 304SS

Dial Plate : White Aluminum with Black Graduations

Degree of Protection

IP 65

Optional Extra

Code T1 : Test Report by Manufacturer

Code T2 : Test Report by KOLAS(ILAC-MRA)

Code W1 : Laminated Safety Glass

Code S6 : 316 SS Case & Cover(Ring)

Code S7 : 316SS Connection Part

Code C1 : Cleaning Service(USE NO OIL)

Code C2 : Supersonic Cleansing Service

Code R1 : Throttling Screw(Restricting Orifice)

Code Z0 : Drag Pointer(only for 100mm)

Code P2 : Protection Cover(Polycarbonate)

Ordering Information for 301P Series

Model	Description	Case & Ring	Wetted Parts			
301P	Industrial Process Pressure Gauges	304 SS	316 SS			
311P	Monel Wetted Part Industrial Process Pressure Gauges	304 SS	Monel			
Code	Dial Size	Accuracy	301P	311P		
25	60mm(2.5")	± 1.5% of F.S.	■	NA		
30	75mm(3")	± 1.5% of F.S.	■	NA		
40	100mm(4")	± 1.0% of F.S.	■	★		
60	150mm(6")	± 1.0% of F.S.	■	★		
Code	Mounting Type		301P	311P		
A	Bottom Connection without Mounting Flange		■	■		
B	Bottom Connection with Back Mounting Flange		■	NA		
L	Lower Back Connection without Mounting Flange		■	NA		
J	Lower Back Connection with 3-hole Front Mounting Flange		■	NA		
U	Lower Back Connection with "U" Clamp Mounting Bracket		■	NA		
Code	Process Connection Style		301P	311P		
2	PT("R" in ISO Standard)		■	■		
3	PF("G" in ISO Standard)		★	NA		
4	NPT		★	■		
X ⁽¹⁾	Others		★	NA		
Code	Process Connection Size		25	30	40	60
C	1/4"		■	★	★	★
D	3/8"		NA	■	★	★
F	1/2"		NA	NA	■	■
Code	Pressure Range		25	30	40	60
001	-0.1 ~ 0 MPa		■	■	■	■
002	-0.1 ~ 0.1 MPa		■	■	■	■
003	-0.1 ~ 0.2 MPa		■	■	■	■
004	-0.1 ~ 0.3 MPa		■	■	■	■
005	-0.1 ~ 0.4 MPa		■	■	■	■
006	-0.1 ~ 0.6 MPa		■	■	■	■
007	-0.1 ~ 1.0 MPa		■	■	■	■
008	-0.1 ~ 1.5 MPa		■	■	■	■
009	-0.1 ~ 2.0 MPa		■	■	■	■
111	0 ~ 0.05 MPa		NA	NA	■	■
112	0 ~ 0.1 MPa		■	■	■	■
113	0 ~ 0.2 MPa		■	■	■	■
114	0 ~ 0.3 MPa		■	■	■	■
115	0 ~ 0.4 MPa		■	■	■	■
116	0 ~ 0.6 MPa		■	■	■	■
118	0 ~ 1 MPa		■	■	■	■
119	0 ~ 1.5 MPa		■	■	■	■
120	0 ~ 2 MPa		■	■	■	■
121	0 ~ 2.5 MPa		■	■	■	■
122	0 ~ 3.5 MPa		■	■	■	■

124	0 ~ 5 MPa	■	■	■	■
126	0 ~ 7 MPa	■	■	■	■
127	0 ~ 10 MPa	■	■	■	■
128	0 ~ 15 MPa	■	■	■	■
129	0 ~ 25 MPa	■	■	■	■
130	0 ~ 35 MPa	NA	NA	■	■
132	0 ~ 50 MPa	NA	NA	■	■
134	0 ~ 70 MPa	NA	NA	■	■
135	0 ~ 100 MPa	NA	NA	■	■

* MPa(SI Unit) is the standard dial scale but others are available upon request.

Code	Applicable Accessory Options
J0	Not Apply
J1	Adapter
J2	Gauge Unions
J3	Syphon Tubes
J4	Pulsation Dampeners
J5	Pressure Snubber
J7	Gauge Savers(Gauge Protectors)
J8	Instrument Valves

Code	Options(No discount applies.)	25	30	40	60
Test Reports					
T1	Test Report by Manufacturer	★	★	★	★
T2	Test Report by KOLAS(ILAC-MRA)	☎	☎	☎	☎
Material Option					
W1	Laminated Safety Glass	★	★	★	★
S6	316 SS Case & Cover(Ring)	NA	NA	★	★
S7	316L SS Connection Part	NA	NA	★	★
S8	Monel(Connection & Element)	NA	NA	★	★
Other Option					
C1	Cleaning Service(USE NO OIL)	★	★	★	★
C2 ⁽²⁾	Supersonic Cleansing Service	★	★	★	★
R1	Throttling Screw(Restriction Orifice)	★	★	★	★
Z0	Peak Valve Memory Pointer(Only for 100mm)	NA	NA	★	NA
P2	Protection Cover(Polycarbonate)	NA	NA	★	NA

Sample Model Selection : 301P40A2F118J0T1

Note 1. Other connection styles are available on request.

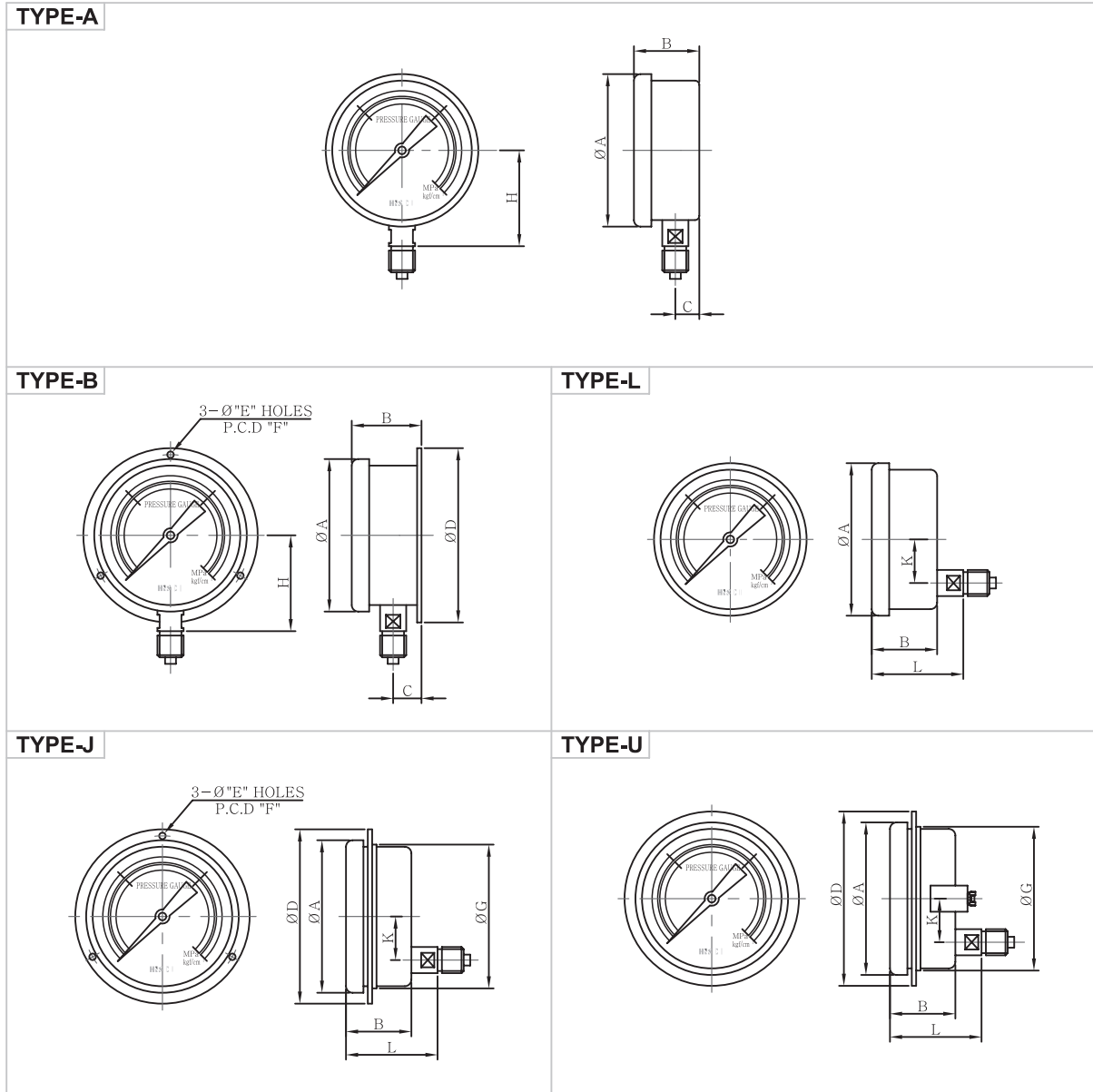
Note 2. On selecting of accessory option, excluding J0, go to Accessory Model(PA XXX) for the detail selection.

Note 3. The vacuum wrapping is provided.

■ = Standard Products ★ = Available NA = Not Available

* The standard specification and price are subject to change without prior notice.

Industrial Process Pressure Gauges(301P Series)



Code	Dial Size	(Available Type)	A	B	C	D	E	F	G	H	L	K
25	$\varnothing 60$	A,B,[L,J,U]	73	42[40]	14	85(80)	4.5	79	65	51	59	20
30	$\varnothing 75$	A,B,[L,J,U]	87	43[41]	16	105	5.5	94.5	79	56.5	60	27
40	$\varnothing 100$	A,B,[L,J,U]	115	49[47]	17	137	5.5	124	104	78	73.5	36
60	$\varnothing 150$	A,B,L,J,U	168	63	19	186	6.5	174	156	100	89.5	50